

Estia Hybrid Solar UPS

3 Phase In - 3 Phase Out / 10-20 kVA

Get your energy from the sun with Inform's new generation HYBRID UPS.

UPS Operation Mode

The energy needed by the load is primarily provided from the grid. In case of failure or failure of the grid, the energy needed is supplied from the battery group inside the Estia Hybrid.

Off-Grid Inverter Operation Mode

The energy needed by the load is primarily provided from the sun. After sunset or when the panels fail to produce, the energy needed continues to be provided from the battery pack.

On-Grid Inverter Operation Mode

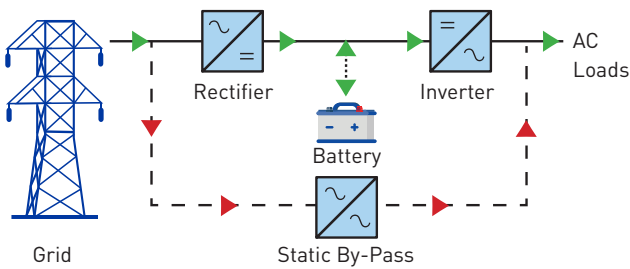
The energy needed by the load is provided primarily from the sun and is supplied from the grid where the solar energy is not sufficient. If the load is low, the energy generated from the solar panels is transferred to the grid.

Hybrid Inverter Operation Mode

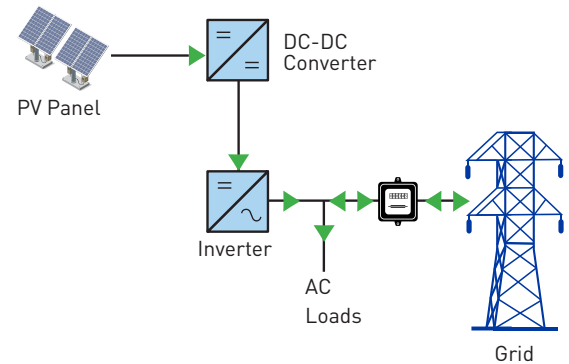
The energy needed by the load is provided primarily from the sun and is supplied from the grid where the solar energy is not sufficient. In case of failure or failure of the grid, the energy needed is supplied from the battery group in the Estia Hybrid.



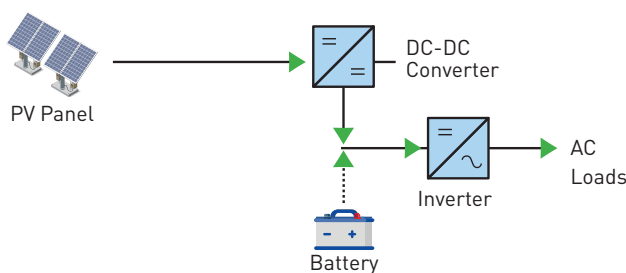
UPS Operation Mode



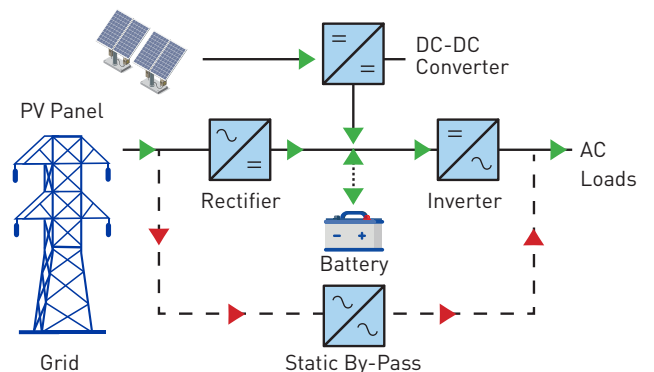
On-Grid Inverter Operation Mode



Off-Grid Inverter Operation Mode



Hybrid Inverter Operation Mode



Estia Hybrid Solar UPS

TECHNICAL FEATURES

MODEL		Estia Hybrid 33010	Estia Hybrid 33015	Estia Hybrid 33020
POWER	Output Power	10 KVA	15 KVA	20 KVA
UPS OPERATION (Grid- Battery)				
GRID INPUT (AC)	Input Voltage - Phase number	380/400/415 VAC / 3Ph+N+PE		
	Input Voltage Range	100% load 195V-260V, 50% load 145V-260V		
	Input Frequency Tolerance	45-65 Hz		
LOAD OUTPUT (AC)	Output Voltage - Phase number	380/400/415 VAC / 3Ph+N+PE		
	Output Frequency	50 / 60 Hz		
	Overload	10min 100% load, 1min 125% load, 10sec 150% load		
STATIC BY-PASS	Static Bypass Voltage Tolerance	380/400/415 VAC (Adjustable from LCD front panel -15% +12%)		
	Static Bypass Frequency Tolerance	47 Hz - 53 Hz (Adjustable)		
BATTERY & CHARGE CONTROL	Battery Type	Maintenance free type (VRLA), Lithium Iron Phosphate / Gel / Lead Acid		
	Nominal Battery Voltage	192-384 VDC (16-32 Pcs 12V)	288-384 VDC (24-32 Pcs 12V)	384 VDC (32 Pcs 12V)
	Max. Battery Charge Current	5A		
HYBRID OPERATION (Grid-Battery-PV)				
PV INPUT (DC)	Max. PV Input Power	8000 W		
	Max. PV Voltage/MPPT Voltage range	600 VDC / 350-600 VDC		
	Min. PV Operation Voltage	200 VDC		
	MPPT Number / Max. MPPT Inp. Current	1 / 24A		
GRID OUTPUT (AC)	Grid Output Voltage – Phase number	380/400/415 VAC / 3Ph+N+PE		
	Grid Output Current (per phase)	12.1 A	18.2A	24.2 A
GRID INPUT (AC)	Grid Input Voltage Range	100% load 195V-260V, 50% load 145V-260V		
	Grid Input Current (per phase)	14.8 A	22.3 A	29.7 A
	Automatic Operation Voltage	195-260 VAC		
BATTERY & CHARGE CONTROL	Nominal Battery Voltage	192-384 VDC (16-32 Pcs 12V)	288-384 VDC (24-32 Pcs 12V)	384 VDC (32 Pcs 12V)
	Max. Battery Charge Current	5A		
OFF-GRID OPERATION (Battery-PV)				
PV INPUT (DC)	Max. PV Input Power	8000 W	8000 W	8000 W
	Automatic Operation Voltage (Cold Start)	166 VDC	250 VDC	333 VDC
	Max. PV Voltage/MPPT Volt. Range	600 VDC / 350-600 VDC		
	Min. PV Operation Voltage	200 VDC		
	MPPT Number / Max. MPPT Inp. Current	1 / 24A	1 / 24A	1 / 24A
BATTERY & CHARGE CONTROL	Nominal Battery Voltage	192-384 VDC (16-32 Pcs 12V)	288-384 VDC (24-32 Pcs 12V)	384 VDC (32 Pcs 12V)
	Max. Battery Charge Current	5A		
LOAD OUTPUT (AC)	Output Voltage - Phase Number	380/400/415 VAC / 3Ph+N+PE		
	Output Frequency	50 / 60 Hz		
ON-GRID OPERATION (Grid-PV)				
PV INPUT (DC)	Max. PV Input Power	8000 W		
	Max. PV Voltage/MPPT Volt. Range	600 VDC / 350-600 VDC		
	Min. PV Operating Voltage	200 VDC		
	MPPT Number / Max. MPPT Inp. Current	1 / 24A		
GRID OUTPUT (AC)	Grid Output Voltage - Phase Number	380/400/415 VAC / 3Ph+N+PE		
	Grid Output Current (per phase)	12.1 A	18.2A	24.2 A
GENERAL DATA				
EFFICIENCY	Euro Efficiency / Output Power Factor	92% / 0.8-1	92% / 0.8-1	92% / 0.8-1
DISPLAY	Screen	4x16 LCD, LED Display		
COMMUNICATION	Interface / Other	RS-232, USB, Emergency Power Off button (EPO), GENSET, STS SYNC		
	Optional	RS485, DryContact, SNMP		
ENVIRONMENT	Storage / Operating Temperature Range	-25°C + 55°C / 0°C + 40°C		
	Humidity / Protection Class	0-95% (non-condensing) / IP20		
	Operating Altitude / Noise	0-1000 m / > 60dB		
	Cooling / Topology	Forced Convection / Transformer-less		
PHYSICAL FEATURES	Dimensions (WxDxY)(mm)	295x620x700	295x620x870	
	Weight (w/o Battery)	48.5 kg	61.8 kg	61.8 kg
	Weight (12V 9Ah Internal Battery)	92 kg	130 kg	147 kg
	Mounting Type	Floor, with wheels (Tower)		
STANDARDS	Safety / EMC / Certification	IEC/EN 62040-1, IEC/EN 62040-2, IEC/EN 62040-3		